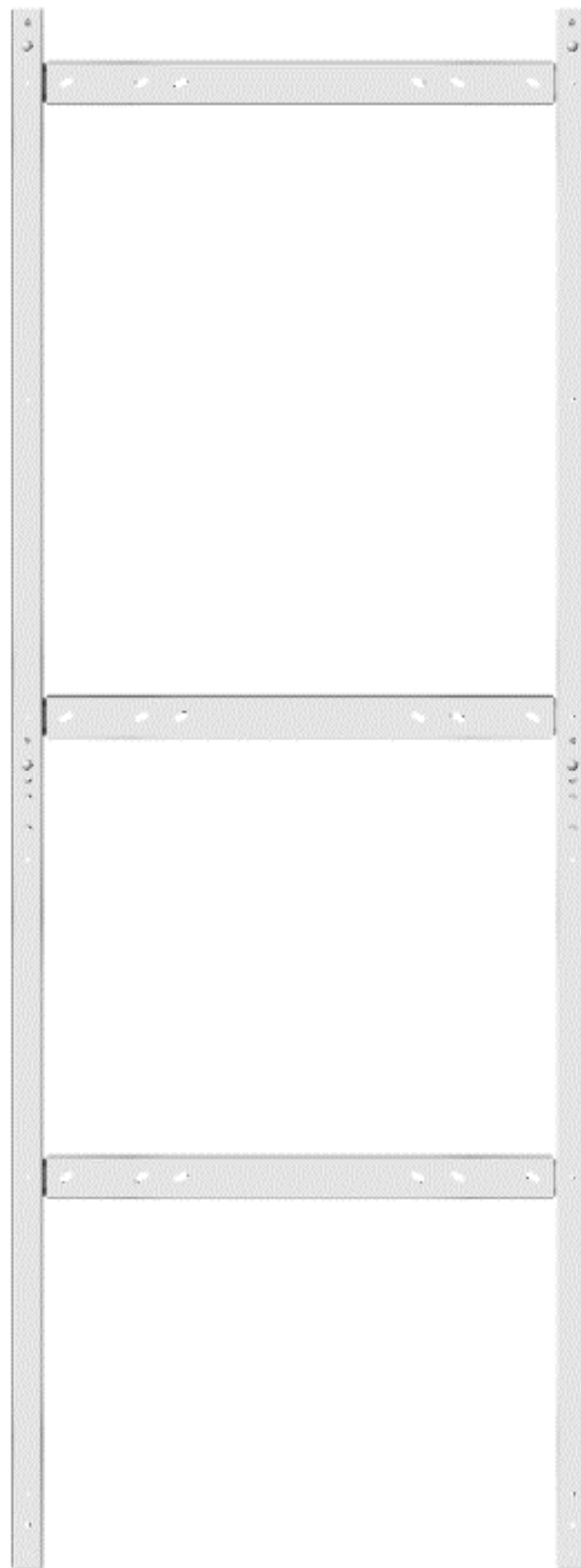


order number: 481A13

BalanceBox®
HEIGHT ADJUSTABLE MOUNTS

Floorsupport
For the BalanceBox®650

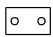


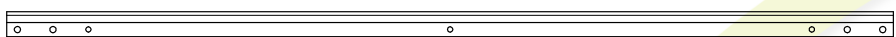
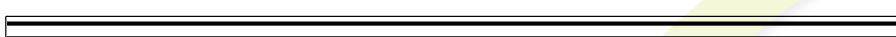
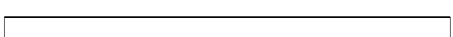








Installation manual
Instruction d'installation







Part nr. 902075-03

Floorsupport

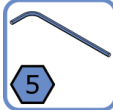
For the BalanceBox®650

The contents of the box <i>Le contenu de la boîte</i>	Safety Instructions <i>Instruction de sécurité</i>
<p>A: 4x </p> <p>B: 2x </p> <p>C: 3x </p> <p>D: 4x </p> <p>E: 2x </p> <p>F: 1x </p> <p>G: 4x  H: 4x  I: 4x  J: 14x  K: 4x </p>	


Tools needed
Outils nécessaires

					
---	---	---	--	---	---


1 Assemble 2x (● 5 mm)



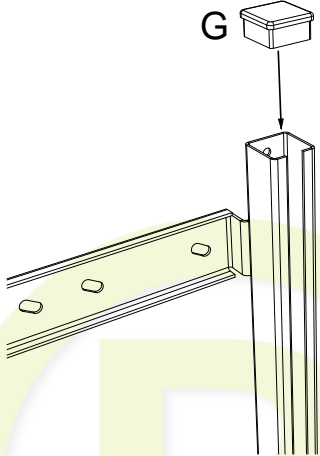
2 Assemble 6x (● 5 mm)



3 Assemble 4x (● 4 mm)

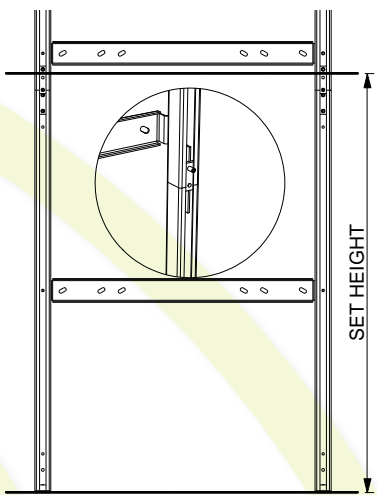


4 Insert top and bottom cap

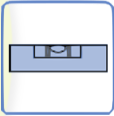



G

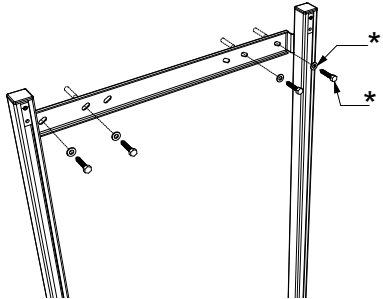
5 Set height from bottom (730-1055 mm / 28.75"-40.3") and level; fix (● 4 mm)



SET HEIGHT

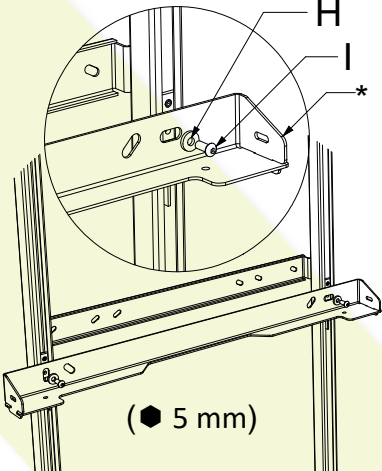



6 Mount all brackets level to the wall, choose fasteners suitable for type of wall



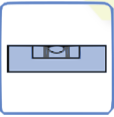

(* = Mounting hardware not included)

7 Mount BalanceBox®650 bottom bracket and level

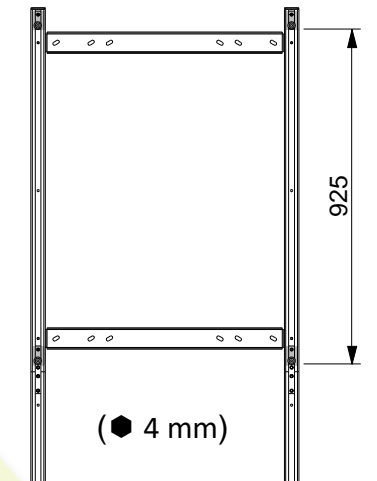


H
I
*

(● 5 mm)






8 Set height at 925 mm / 36.4"

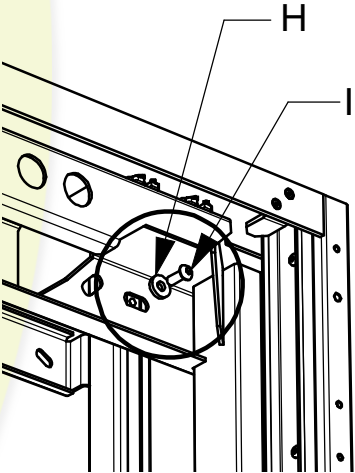


925

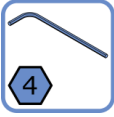
(● 4 mm)

9 Mount BalanceBox®650 at the top



H
I

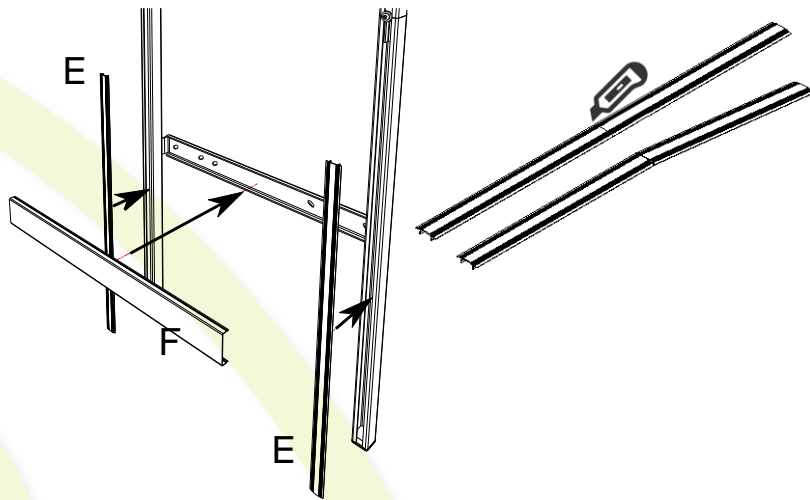


10 Finish mounting BalanceBox®650 and application



Please refer to BalanceBox® 650 user manual!

11 Snap cover strips E (2x) into leg D, mount cover F
Cut cover strips E to length if needed, cut and snap off



12 Additional information when mounting on studded walls

