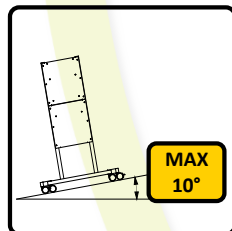
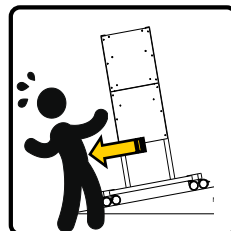


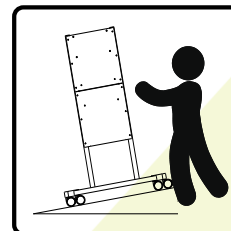
**Important  
warnings  
before use**



**WARNING  
MAXIMUM SLOPE  
10 DEGREES**



**WARNING  
DO NOT PULL DOWN  
SLOPE**


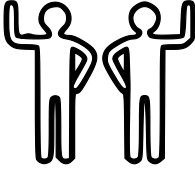
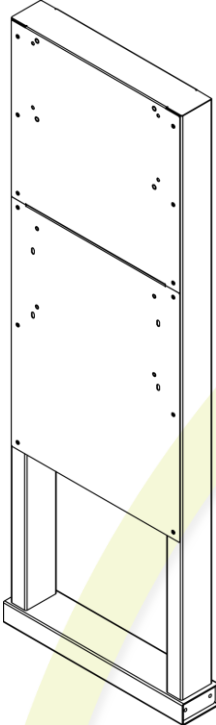
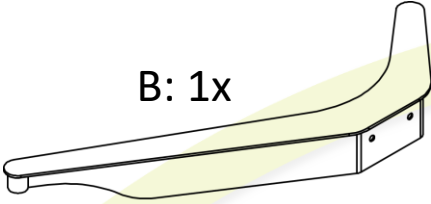
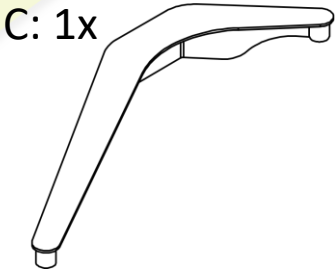

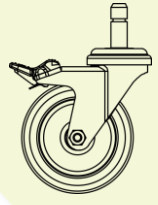


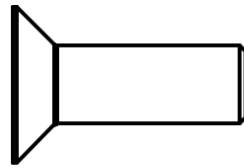
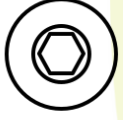

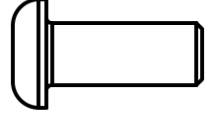


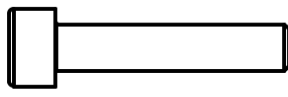

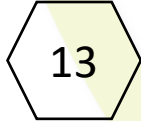



**STAY ABOVE CART  
WHEN MOVING  
DOWN SLOPE**

**Installation manual**

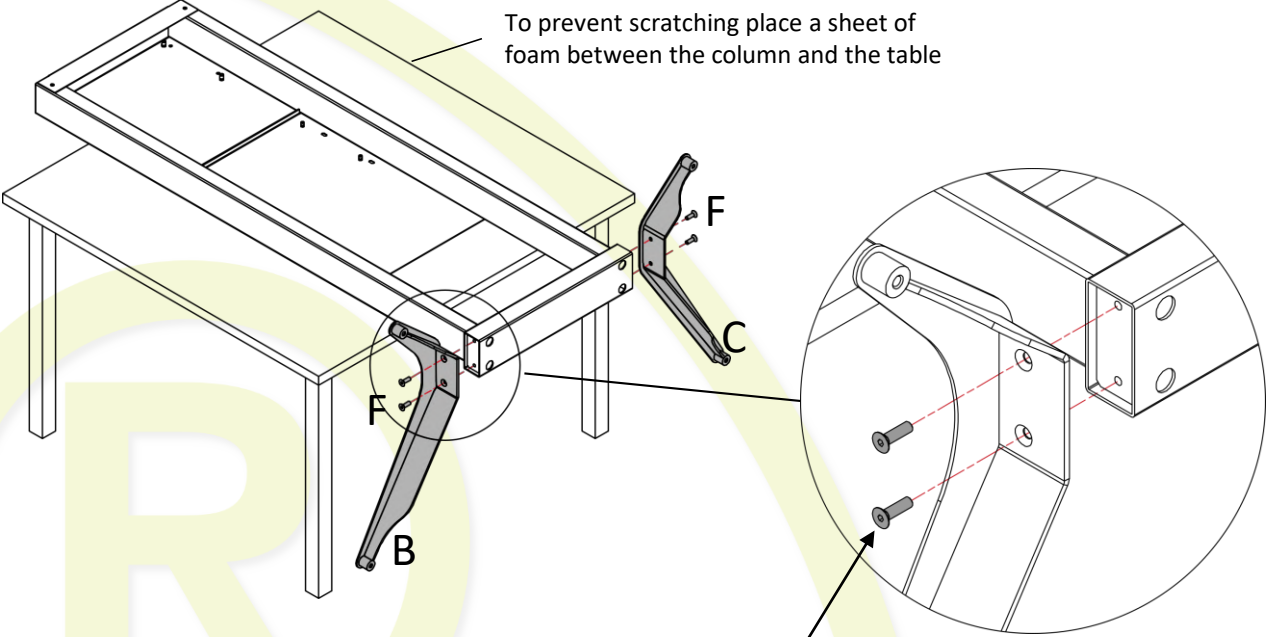
# Mobile Stand Mix

for BalanceBox®400

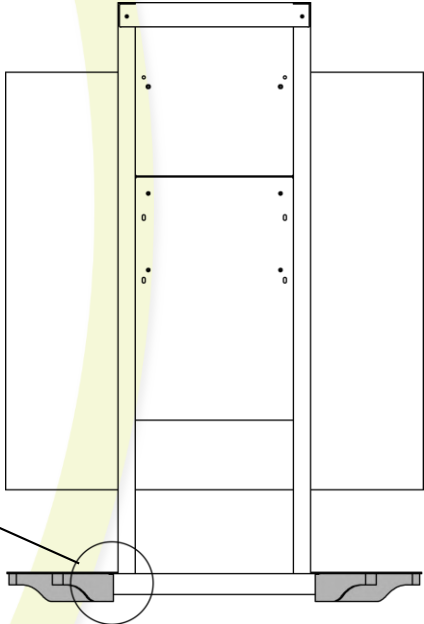
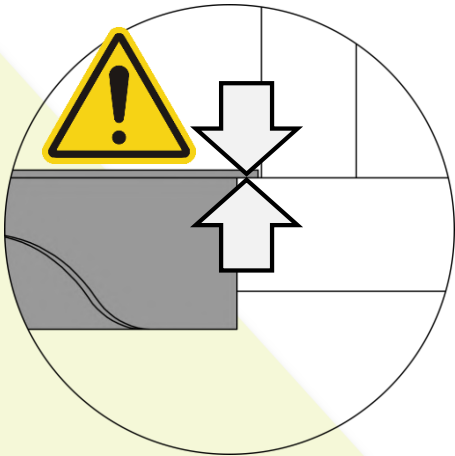
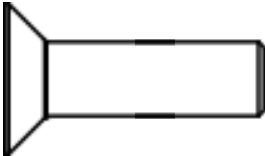
Safety Instructions	What's in the box		
 	<p>A: 1x</p> 	<p>B: 1x</p>  <p>C: 1x</p> 	
<p>1x</p> 			
	<div style="border: 1px solid black; padding: 5px; width: fit-content; margin: auto;"> <p>Ø75 mm / Ø3" Casters</p>  </div>		
<p>F: 4x M10x30</p>   			
<p>G: 4x M8x20</p>   			
<p>H: 2x M6x30</p>   			
<p>K: 4x M8</p>   			

1

**Assemble the wheelbase and column**



F: 4x M10x30

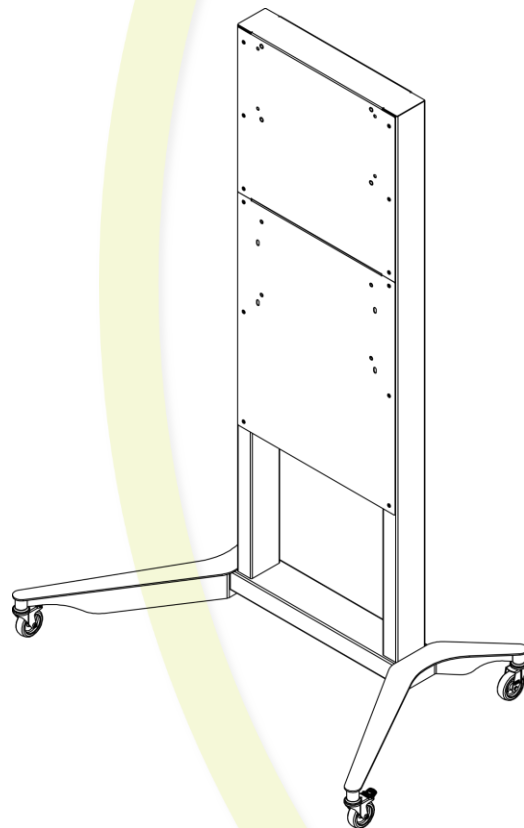
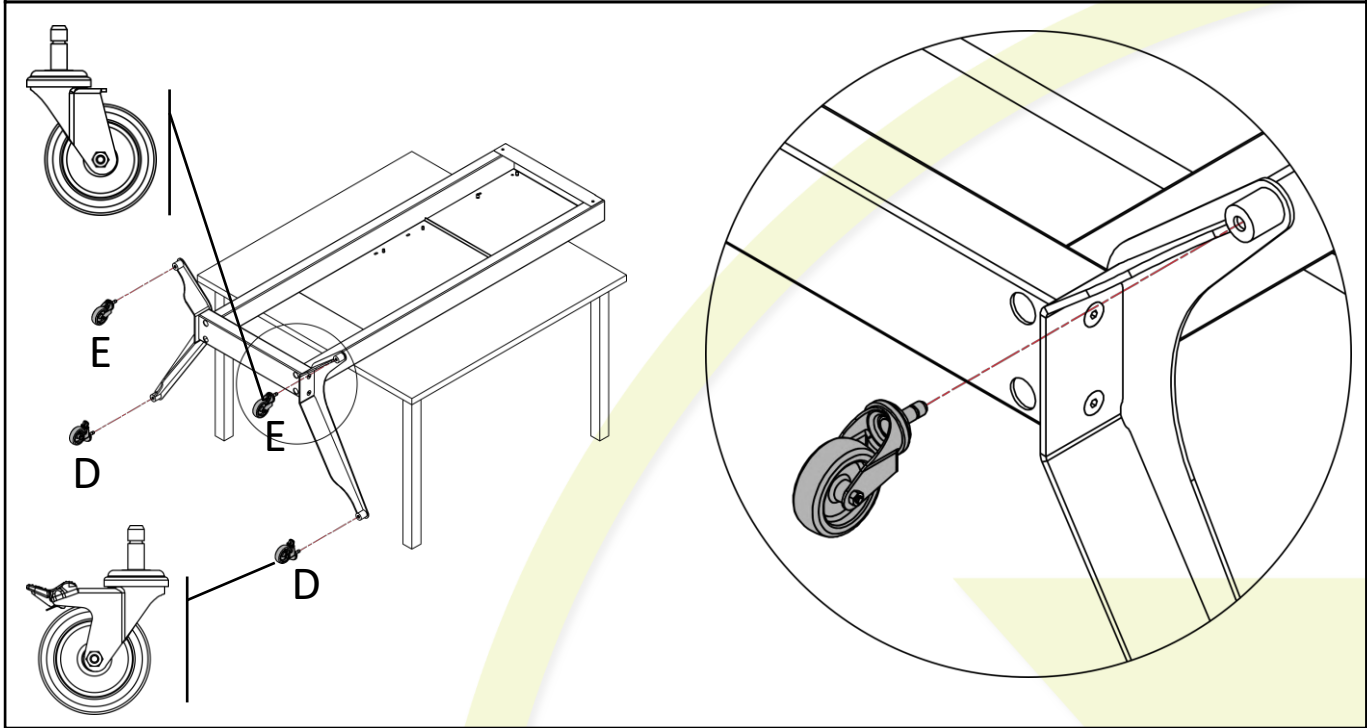


Make sure the top plate of each leg touches the topside of the cross beam before tightening the screws

3

2

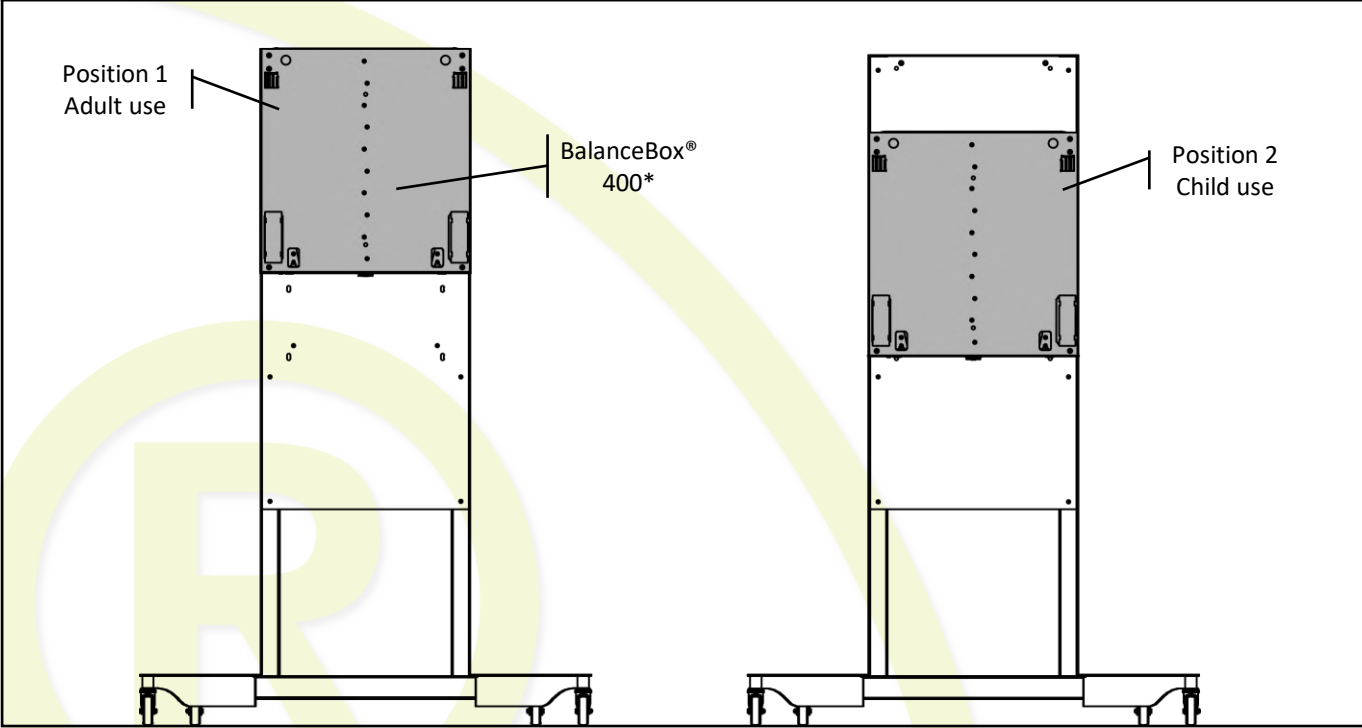
**Mount the casters**



4

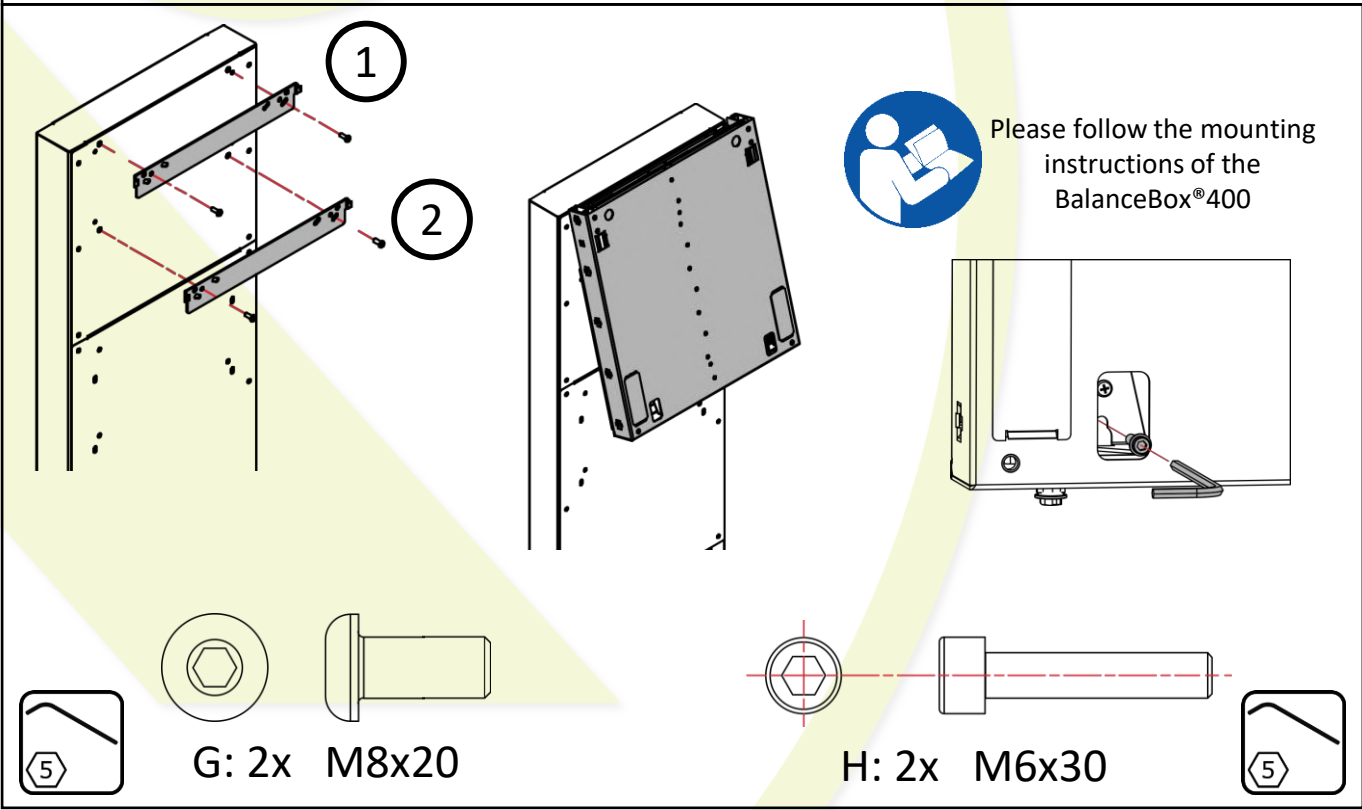
**3**

**Mounting BalanceBox®400\* on the Mobile stand**  
(\*not included)



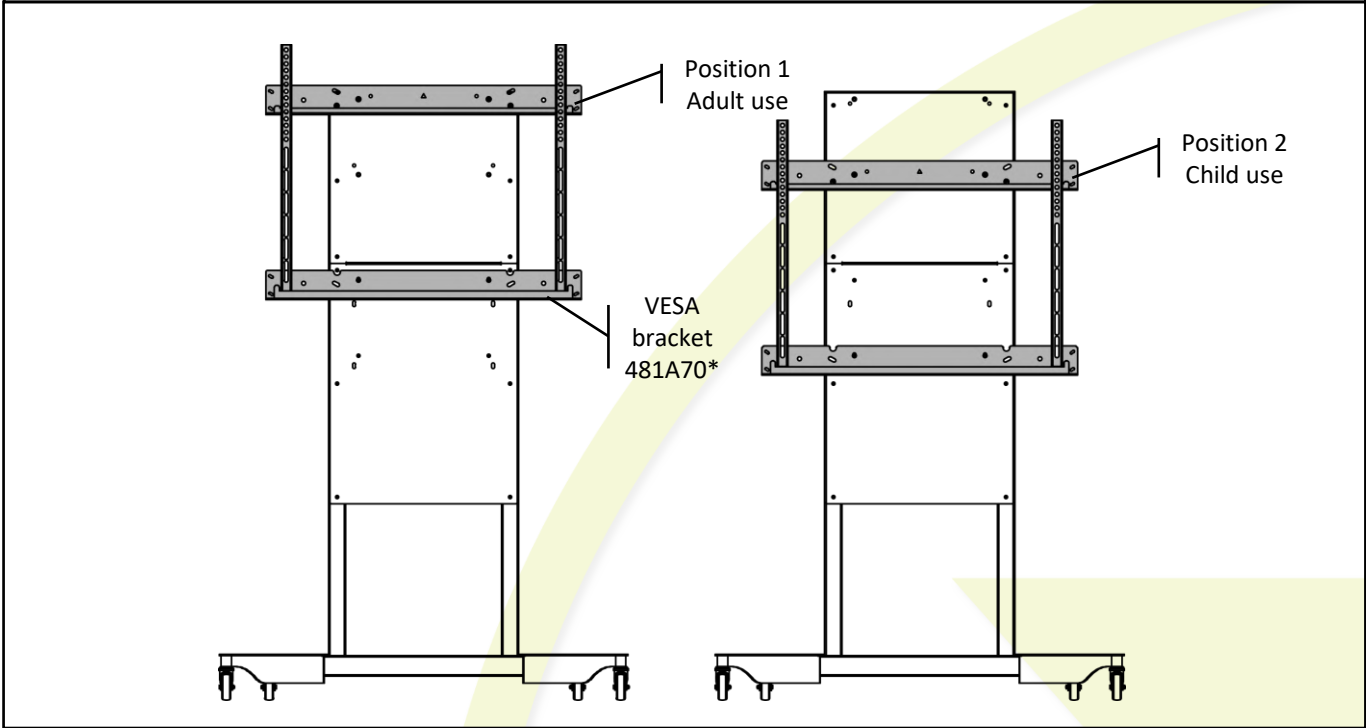
**4**

**Mount the BalanceBox®400\* at the desired position**



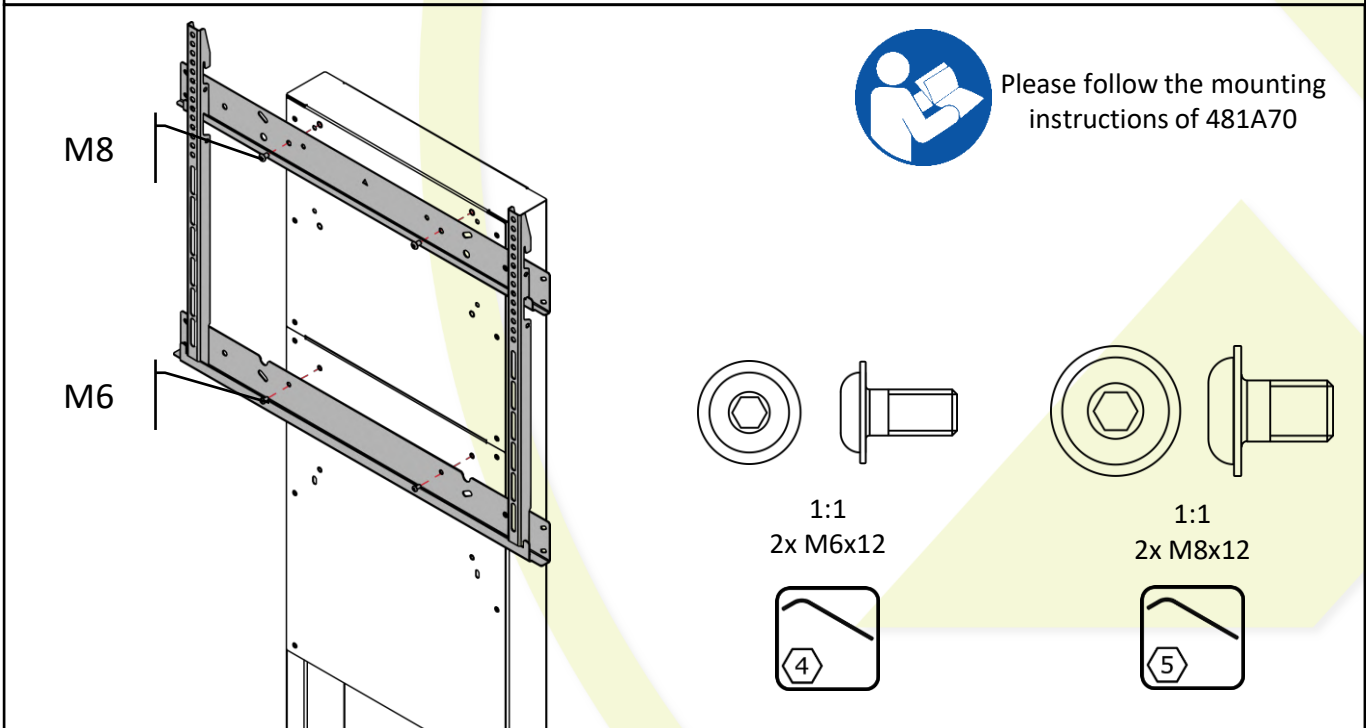
5

**Mounting VESA bracket 481A70\* on the Mobile Stand**  
(\*not included)



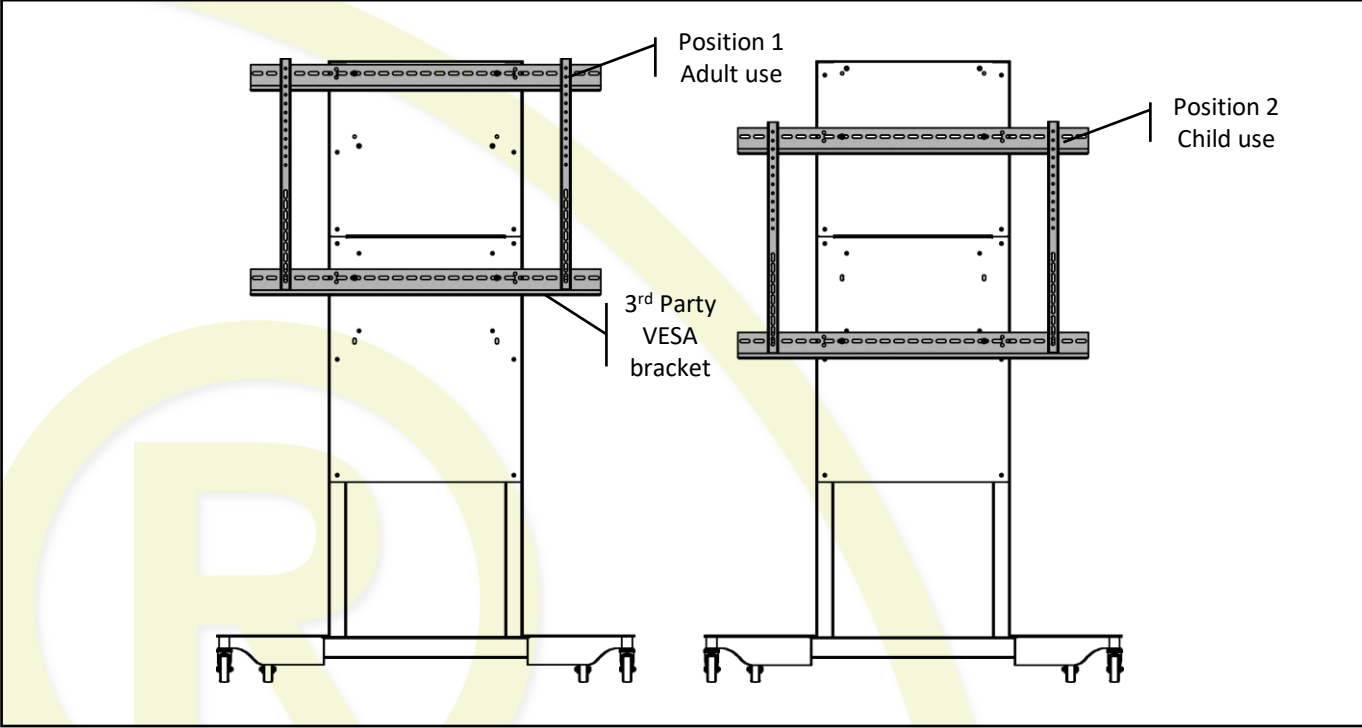
6

**Mount the VESA bracket 481A70**



**7**

**Mounting 3rd party VESA bracket on the Mobile Stand**  
(\*not included)



**8**

**Mount the 3rd party VESA bracket**

