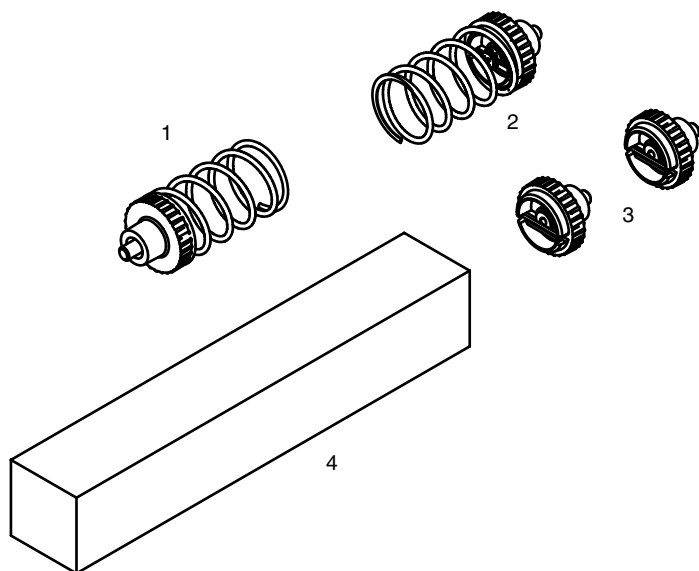


Bumper Accessory Set

ME-9884



Included Equipment

1. Light Spring Bumper
2. Heavy Spring Bumper
3. Clay Holders (2 pieces)
4. Clay

Additional Equipment Recommended

	Part Number
Force Sensor	CI-6537, CI-6746, or PS-2104
Cart	ME-6950, ME-6951, ME-9430, or ME-9454

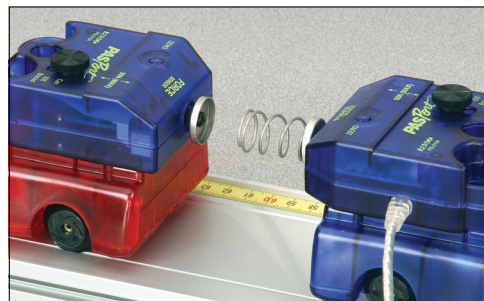
Introduction

The Bumper Accessory Set includes attachments for PASCO Force Sensors. These attachments are ideal for measuring forces during elastic and inelastic collisions between carts. Remove the hooks from the Force Sensors and replace with the included components.

Suggested Activities

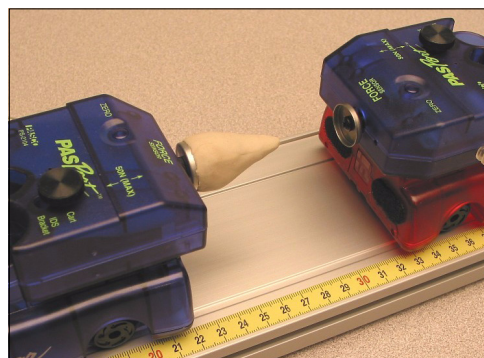
Elastic Collisions

1. Remove the hooks from both Force Sensors
2. Screw the Clay Holder into one of the sensors
3. Screw either the Light Spring or Heavy Spring Bumper into the other Force Sensor
4. Connect the Force Sensors to PASCO carts.



Inelastic Collisions

1. Remove the hooks from both Force Sensors
2. Screw a Clay Holder into each of the sensors
3. Form a clay cone and place it in one of the Clay Holders.
4. Connect the Force Sensors to PASCO carts.
5. Experiment with the effects of elongating the cone on the maximum force and time of collision.



Technical Support

For assistance with any PASCO product, contact PASCO at:

Address: PASCO scientific
10101 Foothills Blvd.
Roseville, CA 95747-7100

Phone: 916-786-3800 (worldwide)
800-772-8700 (U.S.)

Fax: (916) 786-7565

Web: www.pasco.com

Email: support@pasco.com

Limited Warranty For a description of the product warranty, see the PASCO catalog.

Copyright The PASCO scientific 012-09157B *Bumper Accessory Set Instruction Sheet* is copyrighted with all rights reserved. Permission is granted to non-profit educational institutions for reproduction of any part of this manual, providing the reproductions are used only in their laboratories and classrooms, and are not sold for profit. Reproduction under any other circumstances, without the written consent of PASCO scientific, is prohibited.

Trademarks PASCO, PASCO scientific, DataStudio, ezSample, PASPORT, and Xplorer GLX are trademarks or registered trademarks of PASCO scientific, in the United States and/or in other countries. All other brands, products, or service names are or may be trademarks or service marks of, and are used to identify, products or services of, their respective owners. For more information visit www.pasco.com/legal.